

Capped Decking at front of house. Colour: Oak



Sectional View	
Size	140*23mm
Surface	3D Wood Grain
Ingredients	50% Wood Fiber, 38% HDPE, 12% Additives
Certificates	FSC, CE, CNAS, ISO 9001:2019

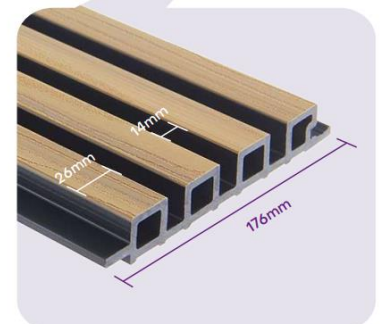


External Cladding House on 3 sides. Colour: Smoke Gray

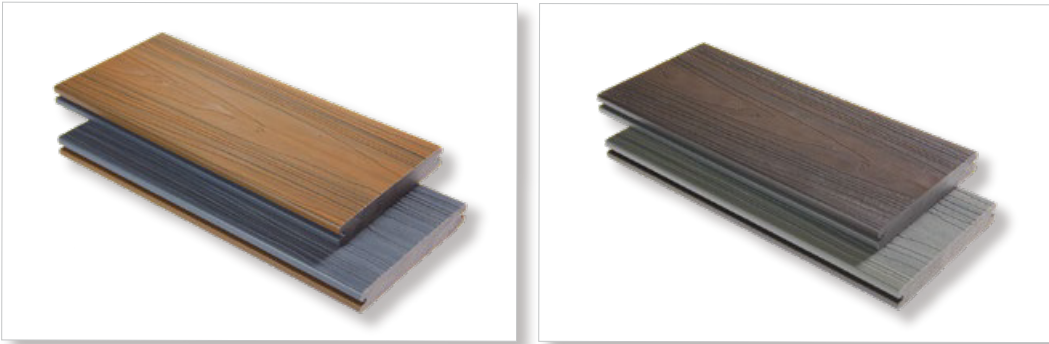


Sectional View	
Length	2.2m, 2.7m, 3.6m or customized
Surface	3D Wood Grain
Ingredients	50% Wood Fiber, 38% HDPE, 12% Additives
Certificates	FSC, CE, CNAS, ISO 9001:2019

Front of House Cladding. Colour: Black + Oak timber



CAPPED SERIES DECKING : CO-01



Low Thermal Conductivity



Split-proof



Long Lifespan



Skin-friendly



Slip-resistant



Neat & Sleek



Low-maintenance



Easy to install

Surface



Aurora



Starshine



Brush Pro



Brush

Color



Smoke Gray



Stone Gray



OAK



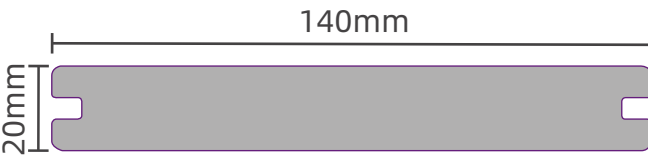
IPE



Dark Teak



Walnut

Sectional view	
Item	CO-01
Size(mm)	140x20
Surface	3D Wood Grain
Standard Length	2.2m or customized

CAPPED SERIES DECKING : CO-02



Low Thermal Conductivity



Split-proof



Long Lifespan



Skin-friendly



Slip-resistant



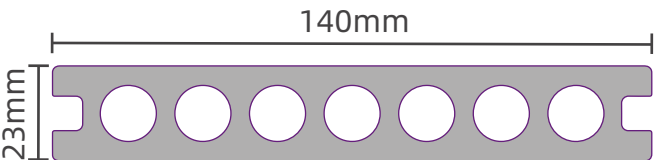
Neat & Sleek



Low-maintenance



Easy to install

Sectional view	
Item	CO-02
Size(mm)	140x23
Surface	3D Wood Grain
Standard Length	2.2m or customized

Surface



Aurora



Starshine



Brush Pro



Brush

Color



Smoke Gray



Stone Gray



OAK



IPE



Dark Teak



Walnut

CAPPED SERIES DECKING : CO-03



Low Thermal Conductivity



Split-proof



Long Lifespan



Skin-friendly



Slip-resistant



Neat & Sleek



Low-maintenance



Easy to install

138mm

Sectional view

23mm



Item

CO-03

Size(mm)

138x23

Surface

3D Wood Grain

Standard Length

2.2m or customized

Surface



Aurora



Starshine



Brush Pro



Brush

Color



Smoke Gray



Stone Gray



OAK



IPE



Dark Teak



Walnut

CAPPED SERIES DECKING : CO-10



Low Thermal Conductivity



Split-proof



Long Lifespan



Skin-friendly



Slip-resistant



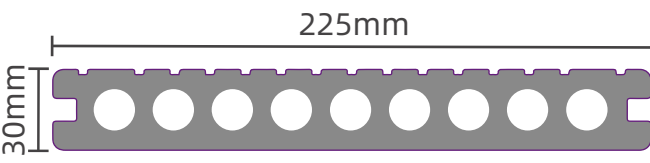
Neat & Sleek



Low-maintenance



Easy to install

Sectional view	
Item	CO-10
Size(mm)	225x30
Surface	3D Wood Grain
Standard Length	2.2m or customized

Surface



Aurora



Starshine



Brush Pro



Brush

Color



Smoke Gray



Stone Gray



OAK



IPE



Dark Teak



Walnut

3D WOOD GRAIN SERIES DECKING : TS-03



Low Thermal Conductivity



Split-proof



Long Lifespan



Skin-friendly



Slip-resistant



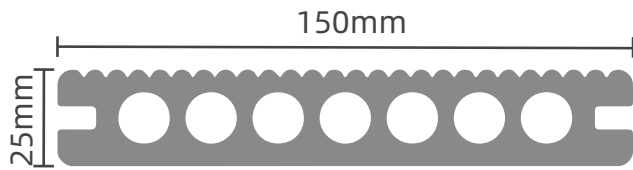
Neat & Sleek



Low-maintenance



Easy to install



Sectional view

Item

TS-03

Size(mm)

150×25

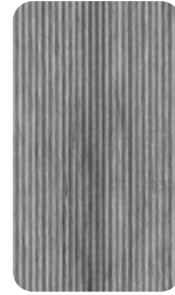
Surface

Groove, 3D Wood Grain

Standard Length

2.2m or customized

Surface



Groove



Modern
3D Wood Grain



Classical
3D Wood Grain



Fashion
3D Wood Grain

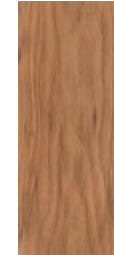
Art Color



Light Gray Art



Cedar Art



Red Pine Art



Red Wood Art



Red Brown Art

Color



Light Gray



Cedar



Red Pine



Red Wood



Red Brown



Coffee



Blue Gray

3D WOOD GRAIN SERIES DECKING : TS-04



Low Thermal Conductivity



Split-proof



Long Lifespan



Skin-friendly



Slip-resistant



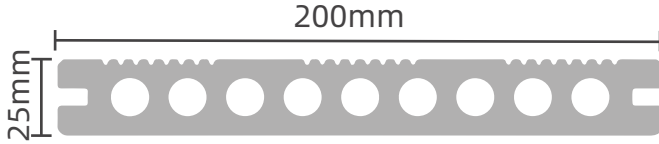
Neat & Sleek



Low-maintenance



Easy to install

Sectional view	
Item	TS-04
Size(mm)	200x25
Surface	Groove, Sanding, 3D Wood Grain
Standard Length	2.2m or customized

Surface



Groove



Modern 3D Wood Grain



Classical 3D Wood Grain



Fashion 3D Wood Grain

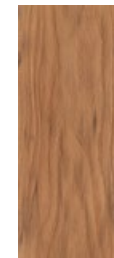
Art Color



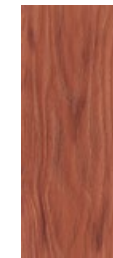
Light Gray Art



Cedar Art



Red Pine Art



Red Wood Art



Red Brown Art

Color



Light Gray



Cedar



Red Pine



Red Wood



Red Brown



Coffee



Blue Gray

3D WOOD GRAIN SERIES DECKING : CD-01



Low Thermal Conductivity



Split-proof



Long Lifespan



Skin-friendly



Slip-resistant



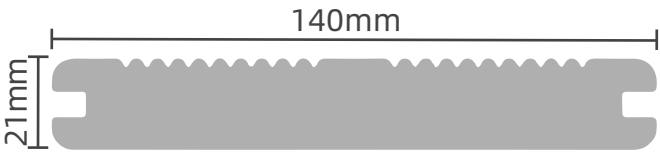
Neat & Sleek



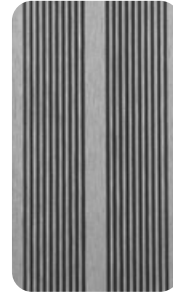
Low-maintenance



Easy to install

Sectional view	
Item	CD-01
Size(mm)	140×21
Surface	Groove, Sanding, 3D Wood Grain
Standard Length	2.2m or customized

Surface



Groove



Modern
3D Wood Grain



Classical
3D Wood Grain



Fashion
3D Wood Grain

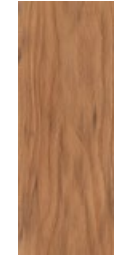
Art Color



Light Gray Art



Cedar Art



Red Pine Art



Red Wood Art



Red Brown Art

Color



Light Gray



Cedar



Red Pine



Red Wood



Red Brown











Coffee

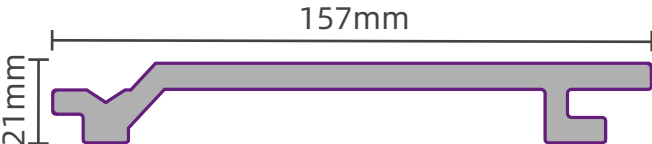


Blue Gray

CAPPED SERIES CLADDING : CO-07



- 
Low Thermal Conductivity
- 
Split-proof
- 
Long Lifespan
- 
Skin-friendly
- 
Slip-resistant
- 
Neat & Sleek
- 
Low-maintenance
- 
Easy to install

Sectional view	
Item	CO-07
Size(mm)	157×21
Surface	3D Wood Grain
Standard Length	2.2m or customized

Surface



Aurora



Starshine



Brush Pro



Brush

Color



Smoke Gray



Stone Gray



OAK



IPE



Dark Teak



Walnut

CAPPED SERIES CLADDING : CO-09



Low Thermal Conductivity



Split-proof



Long Lifespan



Skin-friendly



Slip-resistant



Neat & Sleek



Low-maintenance



Easy to install

Surface



Aurora



Starshine



Brush Pro



Brush

Color



Smoke Gray



Stone Gray



OAK



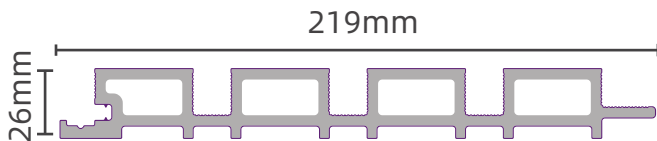
IPE



Dark Teak



Walnut

Sectional view	
Item	CO-09
Size(mm)	219×26
Surface	3D Wood Grain
Standard Length	2.2m or customized

CAPPED SERIES CLADDING : COC-01



Low Thermal Conductivity



Split-proof



Long Lifespan



Skin-friendly



Slip-resistant



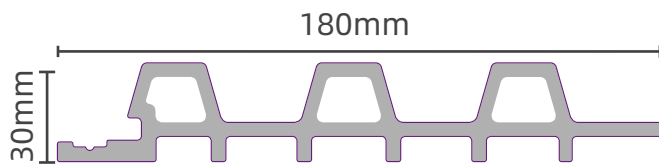
Neat & Sleek



Low-maintenance



Easy to install

Sectional view	
Item	COC-01
Size(mm)	180×30
Surface	3D Wood Grain
Standard Length	2.2m or customized

Surface



Aurora



Starshine



Brush Pro



Brush

Color



Smoke Gray



Stone Gray



OAK



IPE

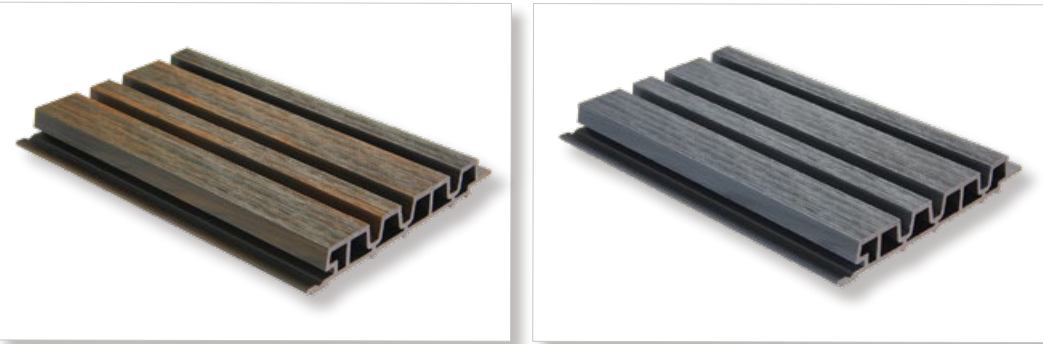


Dark Teak



Walnut

CAPPED SERIES CLADDING : COC-02



Low Thermal Conductivity



Split-proof



Long Lifespan



Skin-friendly



Slip-resistant



Neat & Sleek



Low-maintenance



Easy to install

Surface



Aurora



Starshine



Brush Pro



Brush

Color



Smoke Gray



Stone Gray



OAK



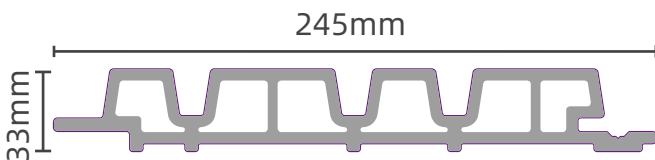
IPE



Dark Teak



Walnut

Sectional view	
Item	COC-02
Size(mm)	245×33
Surface	3D Wood Grain
Standard Length	2.2m or customized

Characteristic		Coowin WPC	Timber
Using property	Resistance to moisture	Waterproof	Not Waterproof
	Resistance to rot	Antisepsis	Easy to rot, need special treating
	Resistance to split	Never split generally	Certain to split at the effect of weathering
	Resistance to distortion	Infrequent to distort	Easy to distort especially outdoor
Application to outdoor	—	Vary adaptive	A few treated-wood is adaptive
Maintenance	Painting	Need not paint	Need to paint periodically to maintain
	Coloring	Have many types of color itself, needn't paint	Need paint sometimes
Lifespan	—	No maintenance, Longer life-time	Exist with maintenance
Form	—	Can be extruded to many types of forms, and can be made by order	Form is simplex
Environmental effects	—	Can be recycled in 100%	Consume woods

Physical and Chemical Properties

Item(s)	Test Result(s)	Test Method(s)
Density	1.33g/cm ³	ASTM D792-00
Moisture Content	0.2%	ASTM D7031-11 Section 5.15 ASTM D4442-16 Method B
Screw withdrawal test	3353N	ASTM D7032-17 Section 5.5 ASTM D1761-12
Impact Resistance	>133J	ASTM D4495-16
Specific Gravity	1.31	ASTM D7031-11 Section 5.14 ASTM D792-13 Method A
Shore Hardness	D/70/1	ASTM D2240-15
Mouldproof level	0[1]	ASTM G 21-15
Formaldehyde Emission	0.02ppm[2]	ASTM D6007 -14
Soluble heavy metal	ND[3]	ASTM F963- 16(Clause 8.3)
Fire-Proof Level	Bf1	EN ISO 9239-1:2010 EN ISO 11925-2:2010+AC:2011

[1] Mold rating standard: 0 — No mildew or discoloration on the surface

[2] 1 ppm = 1 mg/kg = 0.0001%

[3] ND = Not detected (< Method detection limit)